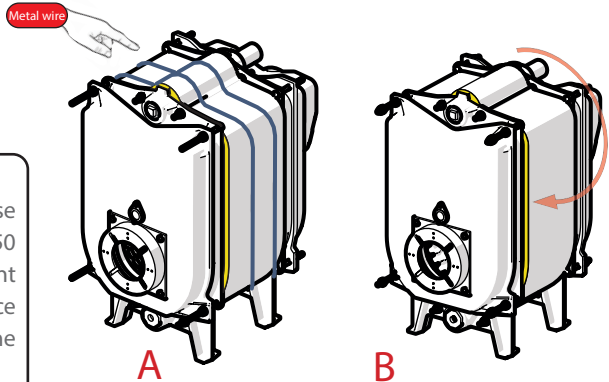
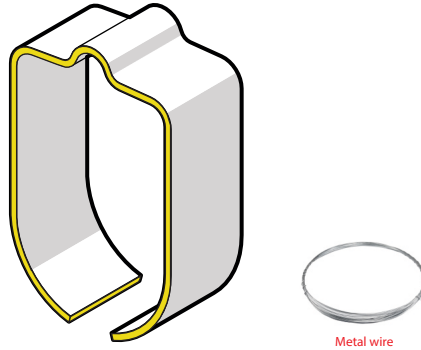


- Along with the boiler, in addition to the cover, the required amount of thermal insulation and wire to close the insulation around the boiler will be delivered

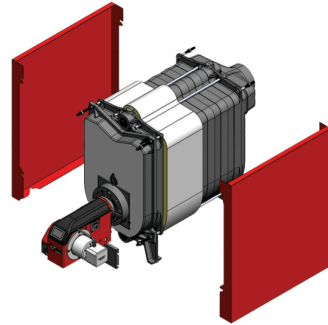


Notice:

Use M10 x 100 screws to close the rear door and M10x150 screws to close the front door. Otherwise, we will face problems when installing the cover.

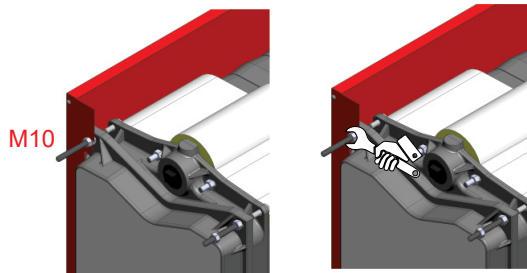
- A-**First, put the insulation on the boiler so that it covers all surfaces.
- B-** Connect the insulation from both sides to the tie rod of the boiler using the existing wires.

1. First, put the left and right cover on the tie rods as shown in the picture.

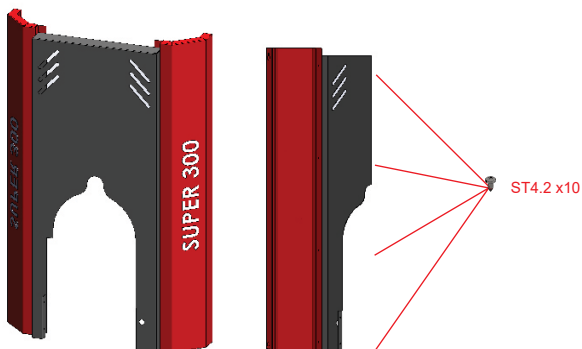


- Tighten the second nut according to the picture.

Do the same steps for the four sides.

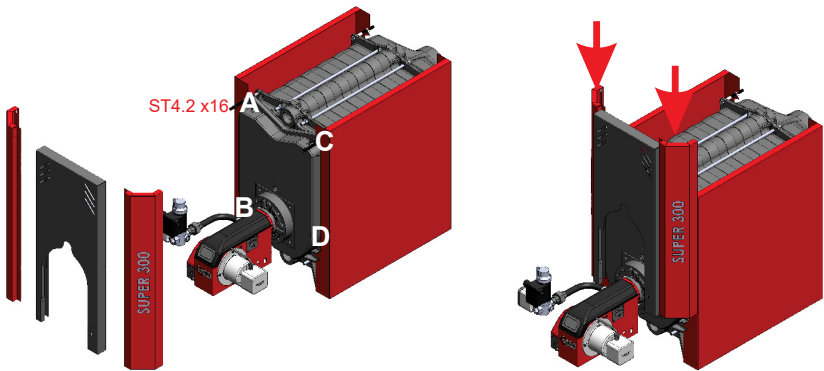


2. Connect or assemble the two left and right columns and the front part of the facade with automatic four-way screws (ST4.2 x 10).

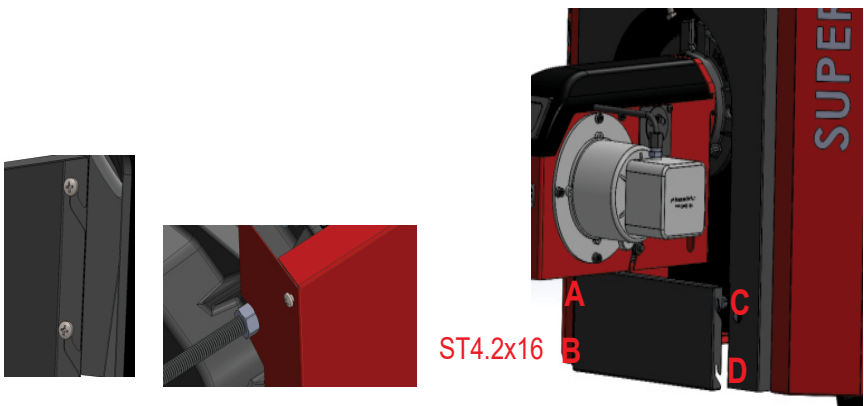


3. Screw the four parts marked with Latin letters with a screw (ST4.2x16) without a washer so that the screw is the size of a sheet.

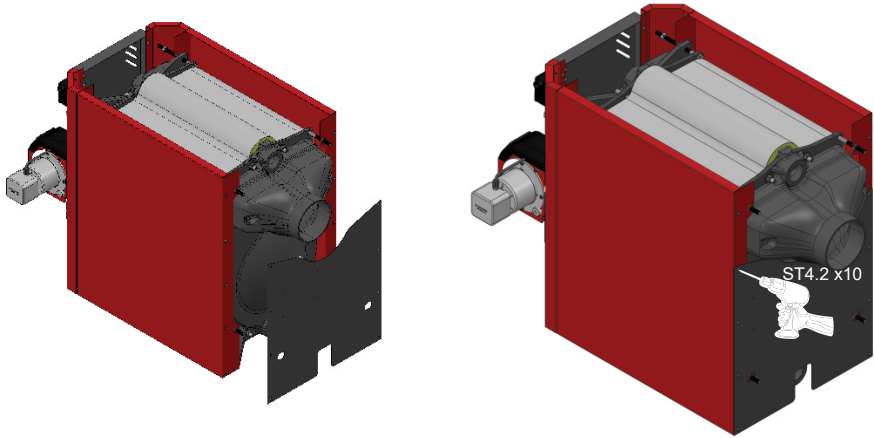
Install the assembled front and side parts as shown below (sliding manner).



4. Install the service door as a sliding manner.



5.Screw the back plate into its matching holes.



6.At the end, press install the roof as shown in the picture.

